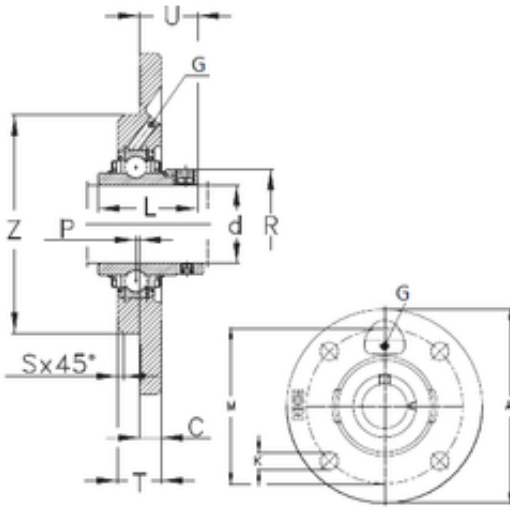




NTN Bearing Driveshaft USA CORP.



NKE RMEY25-N Bearing units

Bearing No. RMEY25-N

Bore Diameter	25 mm
d	25 mm
P	2,5 mm
U	17,3 mm
K	9 mm
Z	70 mm
A	115 mm
C	9 mm
L	34,1 mm
M	90 mm
S	2 mm
T	19 mm
Thread (G)	M6

RMEY25-N Bearing 2D drawings and 3D CAD models