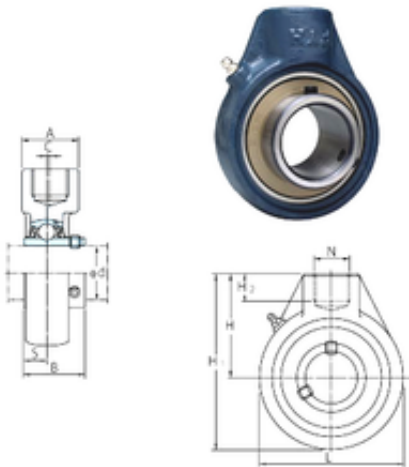




NTN Bearing Driveshaft USA CORP.

FYH UCHA204 Bearing units

Bearing No. UCHA204



UCHA204 Bearing 2D drawings and 3D CAD models

Bore Diameter	20 mm
Width	31 mm
d	20 mm
A	40 mm
B	31 mm
C	- mm
H	64 mm
H1	96 mm
H2	19 mm
L	64 mm
S	12,7 mm
Bolt (G)	PF 3/4
Weight	0,72 Kg
Basic dynamic load rating (C)	12,8 kN
Basic static load rating (C0)	6,65 kN
Category	Hanger Unit Bearings
Inventory	0.0
Manufacturer Name	FYH BEARING UNITS
Minimum Buy Quantity	N/A
Weight / Kilogram	0.719
Product Group	M06110
Mounting Method	Set Screw
Housing Material	Cast Iron
Mounting Thread	3/4 Straight Pipe Female
Rolling Element	Ball Bearing
Insert Material	Steel



NTN Bearing Driveshaft USA CORP.

Expansion / Non-expansion	Non-expansion
Housing Style	Hanger Unit
Relubricatable	Yes
Insert Part Number	UC204
Seals	Double Lip Contact
Rating	Normal Duty
Other Features	Single Row Spherical Has Slinger
Long Description	20MM Bore; 64MM Base to Center Height; Set Screw; Hanger Unit; Cast Iron Housing; Ball Bearing; 64MM Housing Outside Diameter; 31MM Length Thru Bore; 96MM Housing Overall Length; Steel Insert; UC204
Inch - Metric	Metric
Category	Mounted Hanger Units
UNSPSC	31171513
Harmonized Tariff Code	8483.20.40.40
Noun	Bearing
Keyword String	Hanger
Manufacturer URL	http://www.fyhbearings.com
Manufacturer Item Number	UCHA204
Weight / LBS	1.587
Bore	0.787 Inch 20 Millimeter
Base to Center Height	2.52 Inch 64 Millimeter
Housing Outside Diameter	2.52 Inch 64 Millimeter
Housing Overall Length	3.78 Inch 96 Millimeter
Length Thru Bore	1.22 Inch 31 Millimeter