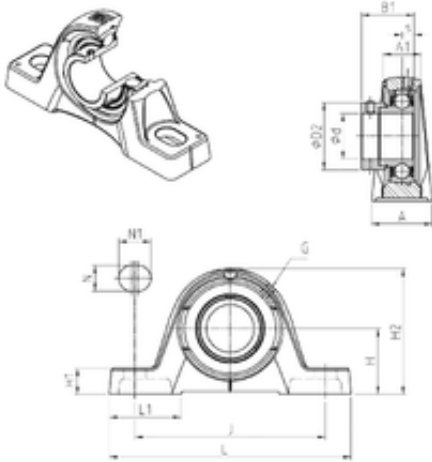




NTN Bearing Driveshaft USA CORP.



SNR ESPE203 Bearing units

Bearing No. ESPE203

Bore Diameter	17 mm
d	17 mm
s	6,5 mm
A	30 mm
A1	18 mm
B1	28,6 mm
D2	28,6 mm
H	30,2 mm
H1	10 mm
H2	57 mm
J	95 mm
L	125 mm
L1	38 mm
N	11 mm
N1	19 mm
Thread (G)	M6x1
Weight	0,5 Kg
Basic dynamic load rating (C)	9,55 kN

ESPE203 Bearing 2D drawings and 3D CAD models