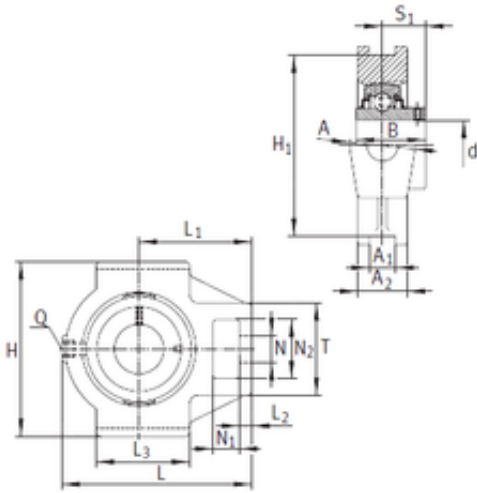




NTN Bearing Driveshaft USA CORP.



RTUEY60 Bearing 2D drawings and 3D CAD models

INA RTUEY60 Bearing units

Bearing No. RTUEY60

Bore Diameter	60 mm
d	60 mm
S1	39,7 mm
Thread (Q)	Rp1/8
L2	19 mm
L3	100 mm
A	60 mm
A1	22 mm
B	65,1 mm
H	146 mm
H1	130 mm
L	186 mm
L1	118 mm
N	35 mm
N1	32 mm
T	102 mm
A2	44 mm
N2	63,5 mm
Weight	4,44 Kg
Basic dynamic load rating (C)	52 kN
Category	Take Up Unit Bearings
Inventory	0.0
Manufacturer Name	SCHAEFFLER GROUP
Minimum Buy Quantity	N/A
Weight / Kilogram	6.167
EAN	4012802824063



NTN Bearing Driveshaft USA CORP.

Product Group	M06110
Component Description	Take Up Bearing Only
Rolling Element	Ball Bearing
Housing Style	Unit Only
Mounting Method	Set Screw
Compatible Take Up Frame	Not Specified
Adjustment Travel Length	0
Insert Part Number	GYE60KRRB
Housing Material	Cast Iron
Other Features	Single Row Spherical Double Land Riding Rubber Contact Seal
Inch - Metric	Metric
Long Description	Take Up Bearing Only; 60MM Bore; 22MM Slot Width; 130MM Slot to Slot Distance; Ball Bearing; Unit Only; Set Screw Mount; GYE60KRRB Insert Part; Cast Iron Housing Material
Category	Take Up Units
UNSPSC	31171533
Harmonized Tariff Code	8483.20.40.40
Noun	Bearing
Keyword String	Take Up
Manufacturer URL	http://www.ina.com
Weight / LBS	9.31
Bore	2.362 Inch 60 Millimeter
Slot Width	0.866 Inch 22 Millimeter
Slot to Slot Distance	5.118 Inch 130 Millimeter