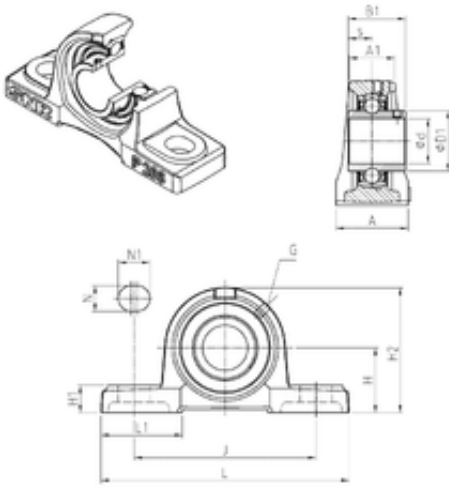




NTN Bearing Driveshaft USA CORP.



SNR UCP214 Bearing units

Bearing No. UCP214

Bore Diameter	70 mm
d	70 mm
s	30,2 mm
A	72 mm
A1	48 mm
B1	74,6 mm
D1	86,5 mm
H	79,4 mm
H1	27 mm
H2	156 mm
J	210 mm
L	266 mm
L1	83 mm
N	25 mm
N1	31 mm
Thread (G)	M10x1
Weight	6,6 Kg
Basic dynamic load rating (C)	62 kN

UCP214 Bearing 2D drawings and 3D CAD models