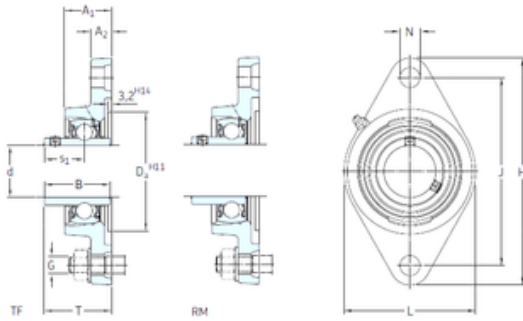




# NTN Bearing Driveshaft USA CORP.



## SKF FYT 1.15/16 FM Bearing units

Bearing No. FYT 1.15/16 FM

Bore Diameter	49,213 mm
d	49,213 mm
Da	189 mm
s1	60,7 mm
A1	43 mm
B1	43,7 mm
G	32,7 mm
H	157,2 mm
J	116 mm
L	15,9 mm
N	14 mm
T	35,1 mm
A2	15 mm
Weight	2.30 Kg
Basic dynamic load rating (C)	23,2 kN
Basic static load rating (C0)	0,98 kN
Category	Flange Block Bearings
Inventory	0.0
Manufacturer Name	SKF
Minimum Buy Quantity	N/A
Weight / Kilogram	2.36
Product Group	M06110
Number of Mounting Holes	2
Mounting Method	Eccentric Collar
Housing Style	2 Bolt Flange Block
Rolling Element	Ball Bearing

FYT 1.15/16 FM Bearing 2D drawings and 3D CAD models



## NTN Bearing Driveshaft USA CORP.

Housing Material	Cast Iron
Expansion / Non-expansion	Non-expansion
Mounting Bolts	9/16 Inch
Relubricatable	Yes
Insert Part Number	YET 210-115
Seals	M Seal
Housing Configuration	1 Piece Solid
Pilot Configuration	No Pilot
Inch - Metric	Inch
Long Description	2 Bolt Flange Block; 1-15/16" Bore; 6.2" Bolt Circle; 6-3/16" Bolt Spacing; 1 Piece Solid; Eccentric Collar Mount; Cast Iron; Ball Bearing; 1-23/32" Length Thru Bore; Relubricatabl
Other Features	Single Row   Standard Duty   Narrow Inner Race   Open End   Y Bearing
Category	Flange Block
UNSPSC	31171501
Harmonized Tariff Code	8483.20.40.40
Noun	Bearing
Keyword String	Flanged
Manufacturer URL	<a href="http://www.skf.com">http://www.skf.com</a>
Manufacturer Item Number	FYT 1.15/16 FM
Weight / LBS	5.2
Cartridge Pilot Diameter	0 Inch   0 Millimeter
Bore	1.938 Inch   49.225 Millimeter
Length Thru Bore	1.719 Inch   43.663 Millimeter
Cartridge Pilot Depth	0 Inch   0 Millimeter
Nominal Bolt Circle Diameter Round	6.2 Inch   157 Millimeter



# NTN Bearing Driveshaft USA CORP.

Bolt Spacing	6.188 Inch   157.175 Millimeter
--------------	------------------------------------