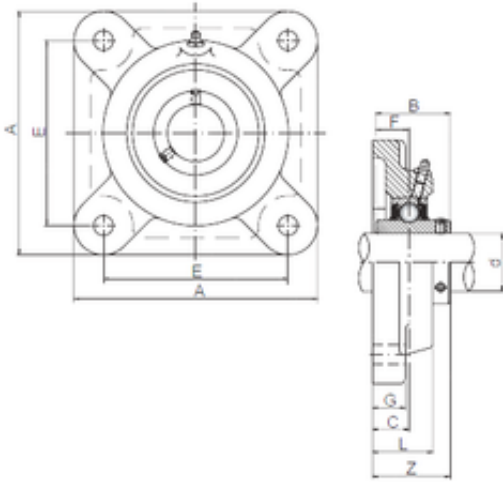




NTN Bearing Driveshaft USA CORP.



ISO UCF310 Bearing units

Bearing No. UCF310

| | |
|---------------|--------|
| Bore Diameter | 50 mm |
| Width | 61 mm |
| d | 50 mm |
| Z | 67 mm |
| A | 175 mm |
| B | 61 mm |
| C | 28 mm |
| E | 132 mm |
| F | 22 mm |
| G | 19 mm |
| L | 48 mm |
| S | 23 mm |
| Bolt (G) | M20 |

UCF310 Bearing 2D drawings and 3D CAD models