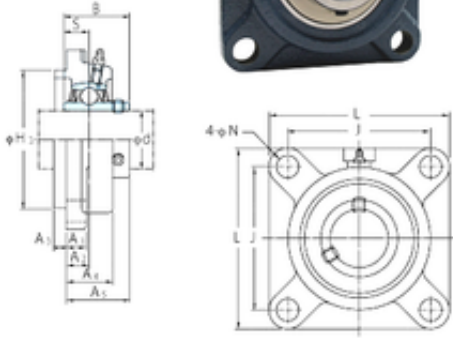




NTN Bearing Driveshaft USA CORP.

FYH UCFS307 Bearing units

Bearing No. UCFS307



UCFS307 Bearing 2D drawings and 3D CAD models

Bore Diameter	35 mm
d	35 mm
H3	100 mm
A4	27 mm
A5	40 mm
A1	16 mm
B	48 mm
J	100 mm
L	135 mm
N	19 mm
S	19 mm
Bolt (G)	M16
A2	11 mm
A3	9 mm
Weight	2,3 Kg
Basic dynamic load rating (C)	33,4 kN
Basic static load rating (C0)	19,3 kN