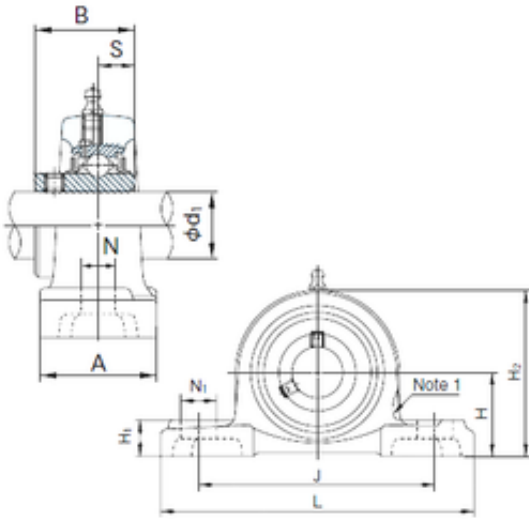




# NTN Bearing Driveshaft USA CORP.



UCPX13 Bearing 2D drawings and 3D CAD models

## NACHI UCPX13 Bearing units

Bearing No. UCPX13

Bore Diameter	65 mm
Width	74.6 mm
d	65 mm
A	83 mm
B	74.6 mm
H	76.2 mm
H1	32 mm
H2	154 mm
J	203 mm
L	286 mm
N	25 mm
N1	41 mm
S	30.2 mm
Bolt (G)	M20
Category	Bearings
Inventory	0.0
Manufacturer Name	NACHI
Minimum Buy Quantity	N/A
Weight / Kilogram	0
Product Group	M06110