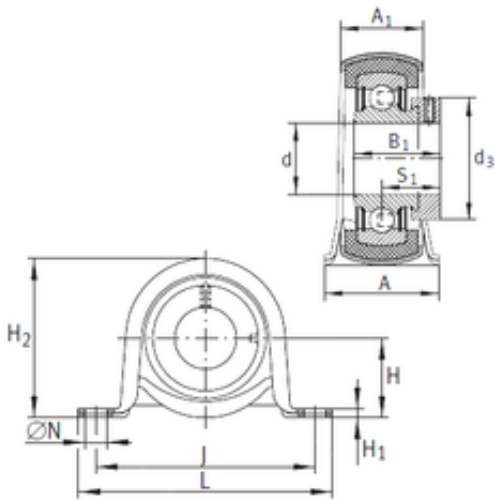




NTN Bearing Driveshaft USA CORP.



RPB30 Bearing 2D drawings and 3D CAD models

INA RPB30 Bearing units

Bearing No. RPB30

Bore Diameter	30 mm
d	30 mm
S1	20 mm
d3	42,5 mm
A	38 mm
A1	26,5 mm
B1	26,5 mm
H	33,3 mm
H1	4 mm
H2	66,1 mm
J	95 mm
L	117,5 mm
N	11,5 mm
Category	Pillow Block Bearings
Inventory	0.0
Manufacturer Name	SCHAEFFLER GROUP
Minimum Buy Quantity	N/A
Weight / Kilogram	0.45
Product Group	M06110
Number of Mounting Holes	2
Mounting Method	Eccentric Collar
Housing Style	2 Bolt Pillow Block
Rolling Element	Ball Bearing
Housing Material	Stamped Steel
Expansion / Non-expansion	Non-expansion
Mounting Bolts	11.5 Millimeter



NTN Bearing Driveshaft USA CORP.

Relubricatable	No
Insert Part Number	RALE30NPPB
Seals	Double Lip Contact
Housing Configuration	1 Piece Solid
Inch - Metric	Metric
Other Features	Single Row Corrotect Coating With Set Screw
Long Description	2 Bolt Pillow Block; 30MM Bore; 33.3MM Base to Center Height; Eccentric Collar Mount; Ball Bearing; No Relubricatable; Stamped Steel; Double Lip Contact; Non-expansion
Category	Pillow Block
UNSPSC	31171511
Harmonized Tariff Code	8483.20.40.40
Noun	Bearing
Keyword String	Pillow Block
Manufacturer URL	http://www.ina.com
Manufacturer Item Number	RPB30
Weight / LBS	0.992
Base to Center Height	1.311 Inch 33.3 Millimeter
Bolt Spacing Maximum	0 Inch 0Millimeter
Length Thru Bore	1.043 Inch 26.5 Millimeter
Bore	1.181 Inch 30 Millimeter
Nominal Bolt Center to Center	3.7 Inch 95 Millimeter
Bolt Spacing Minimum	0 Inch 0Millimeter
Actual Bolt Center to Center	3.7 Inch 95Millimeter