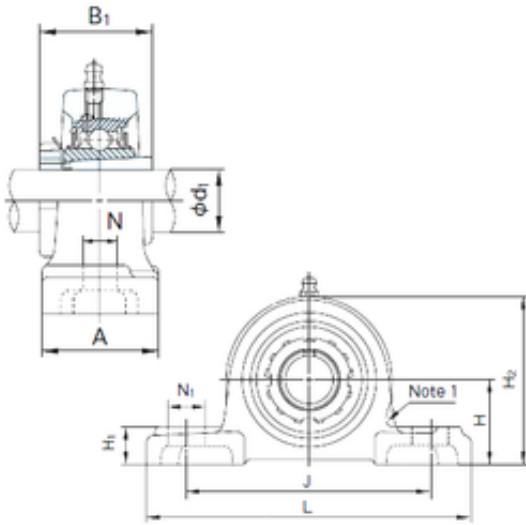




NTN Bearing Driveshaft USA CORP.



NACHI UKPX05+H2305 Bearing units

Bearing No. UKPX05+H2305

Bore Diameter	20 mm
Width	44,4 mm
d	20 mm
A	51 mm
B1	35 mm
H	44,4 mm
H1	18 mm
H2	85 mm
J	119 mm
L	159 mm
N	17 mm
N1	25 mm
Bolt (G)	M14

UKPX05+H2305 Bearing 2D drawings and 3D CAD models