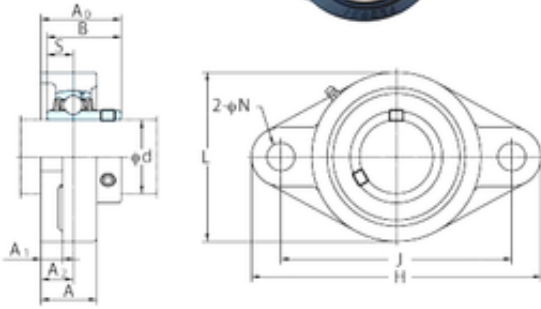




NTN Bearing Driveshaft USA CORP.

FYH UCFL313 Bearing units

Bearing No. UCFL313



UCFL313 Bearing 2D drawings and 3D CAD models

Bore Diameter	65 mm
d	65 mm
A0	78 mm
A	58 mm
A1	25 mm
B	75 mm
H	295 mm
J	240 mm
L	175 mm
N	31 mm
S	30 mm
Bolt (G)	13,2
Bolt (G)	M27
A2	33 mm
Weight	8,5 Kg
Basic static load rating (C0)	92,7 kN