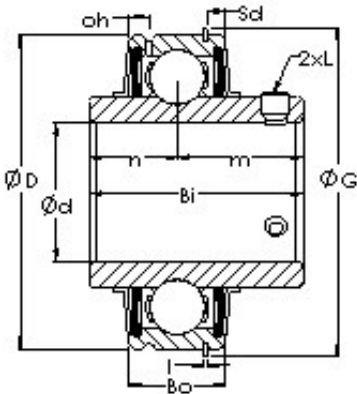




NTN Bearing Driveshaft USA CORP.



AST ER212-38 Bearing units

Bearing No. ER212-38

Bore Diameter	60,33 mm
Outer Diameter	110 mm
Bearing Type	Inch Size Bore Diameter
Bore Dia (d)	60.3300
Outer Dia (D)	110.0000
Outer Width (Bo)	32.0000
Inner Width (Bi)	65.1000
Dynamic Load Rating (Cr)	52,446
Static Load Rating (Cor)	36,176
Bearing Inner Race Width - Short Side (n)	25.4000
Bearing Inner Race Width - Extended Side (m)	39.7000
Bearing Collar Set Screw (L) - 3/8-24UNF	3/824UNF
Snap Ring Dia. (G)	116.4000
Snap Rinf Location (Sd)	3.2000
Snap Ring Thickness (I)	2.4000
Relubrication Hole Location (oh)	7.5000
Shaft Size (ds) - 2-3/8	23/8
Weight (g)	1,891.48

ER212-38 Bearing 2D drawings and 3D CAD models