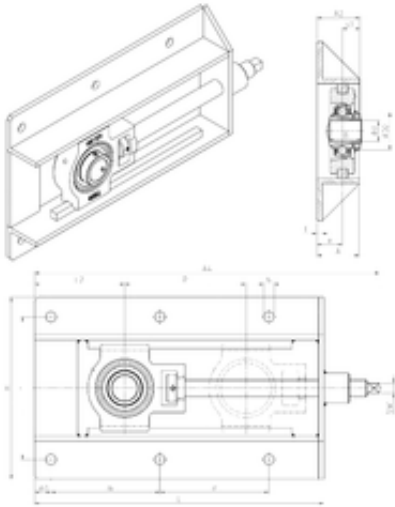




NTN Bearing Driveshaft USA CORP.



SNR UKT205H+WB Bearing units

Bearing No. UKT205H+WB

Bore Diameter	20 mm
d	20 mm
A4	368 mm
P	150 mm
e	29 mm
L2	83 mm
s1	18,5 mm
SW	11 mm
A	50 mm
B	35 mm
D2	38 mm
H	199 mm
J	154 mm
L	317 mm
M	117 mm
M1	19 mm
N	12 mm
T	6 mm
A2	47,5 mm
Weight	5,2 Kg
Basic dynamic load rating (C)	14 kN
A1	12 mm
A5	18.5 mm
B1	35 mm
d1	38 mm
G	M6x1

UKT205H+WB Bearing 2D drawings and 3D CAD models



NTN Bearing Driveshaft USA CORP.

H1	76 mm
H2	51 mm
L1	62 mm
L3	51 mm
N1	16 mm
N2	32 mm
C	14 kN
C0	7.88 kN
T min.	-20 ° C
T max.	100 ° C
Adapter sleeve reference	H2305
Designation of housing	T205-
Designation of bearing	UK205G2H