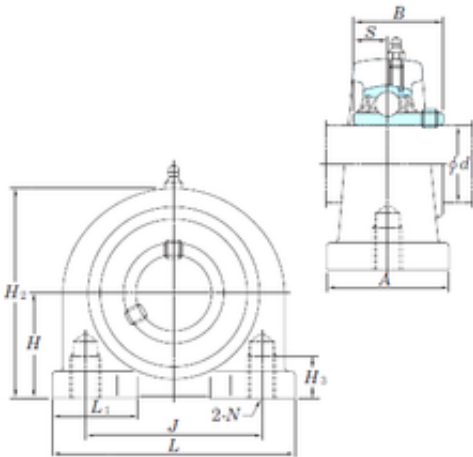




NTN Bearing Driveshaft USA CORP.

KOYO UCPA208-24 Bearing units

Bearing No. UCPA208-24



UCPA208-24 Bearing 2D drawings and 3D CAD models

Bore Diameter	38,1 mm
Width	49,2 mm
d	38,1 mm
H3	20 mm
A	58 mm
B	49,2 mm
H	49,2 mm
H2	100 mm
J	84 mm
L	116 mm
L1	41 mm
S	19 mm
Bolt (G)	M14 × 2
Weight	2 Kg
Basic dynamic load rating (C)	29,1 kN
Basic static load rating (C0)	17,8 kN