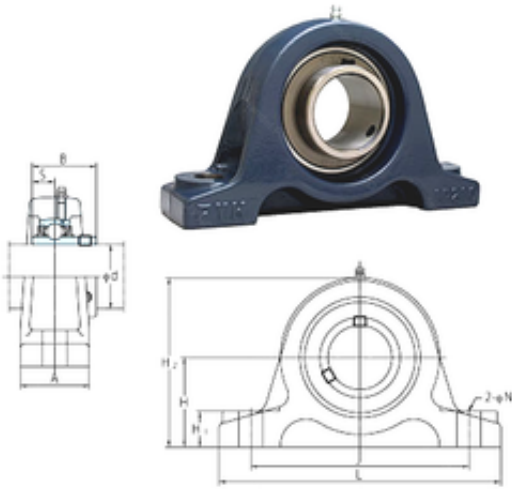




NTN Bearing Driveshaft USA CORP.

FYH UCIP208 Bearing units

Bearing No. UCIP208



UCIP208 Bearing 2D drawings and 3D CAD models

Bore Diameter	40 mm
Width	49,2 mm
d	40 mm
A	60 mm
B	49,2 mm
H	60 mm
H1	25 mm
H2	115 mm
J	150 mm
L	200 mm
N	19 mm
S	19 mm
Bolt (G)	M16
Weight	3,4 Kg
Basic dynamic load rating (C)	29,1 kN
Basic static load rating (C0)	17,8 kN