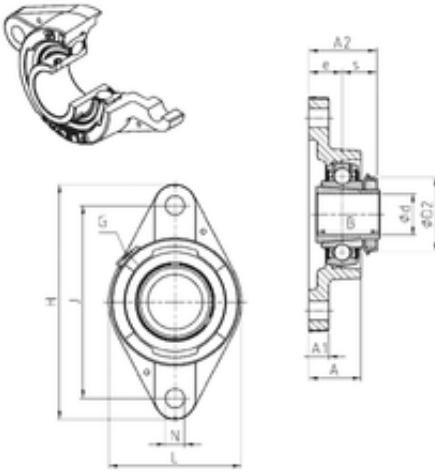




# NTN Bearing Driveshaft USA CORP.



## SNR UKFLE210H Bearing units

Bearing No. UKFLE210H

Bore Diameter	45 mm
d	45 mm
e	28 mm
s1	27,5 mm
A	41,6 mm
A1	13 mm
B	55 mm
D2	70 mm
H	190 mm
J	157 mm
L	116 mm
N	18 mm
Thread (G)	R1/8"
A2	55,5 mm
Weight	2,3 Kg
Basic dynamic load rating (C)	35,1 kN

UKFLE210H Bearing 2D drawings and 3D CAD models