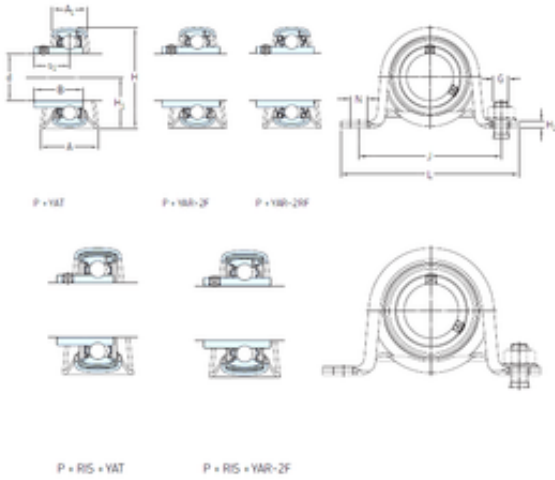




NTN Bearing Driveshaft USA CORP.



SKF P 25 TR Bearing units

Bearing No. P 25 TR

Bore Diameter	25 mm
d	25 mm
s1	19,8 mm
A	32 mm
A1	24 mm
B	34,1 mm
H	56 mm
H1	28,3 mm
H2	3,2 mm
J	86 mm
L	108 mm
N	11,2 mm
Thread (G)	10
Weight	0,27 Kg
Basic dynamic load rating (C)	14 kN
Basic static load rating (C0)	7,8 kN
Housing material	Pressed steel
A ₁	23 mm
B ₄	5 mm
H ₁	28.4 mm
H ₂	3.2 mm
s ₁	19.8 mm
Basic dynamic load rating C	14 kN
Basic static load rating C ₀	7.8 kN
Fatigue load limit P _u	0.335 kN
Permissible radial housing	1.8 kN

P 25 TR Bearing 2D drawings and 3D CAD models



NTN Bearing Driveshaft USA CORP.

load max.	
Limiting speed	4300 r/min
Mass bearing unit	0.27 kg
Thread grub screw G ₂	M6x0.75
Hexagonal key size for grub screw N	3 mm
Recommended tightening torque for grub screw	4 N · m
Recommended diameter for attachment bolts, mm G	10 mm
Recommended diameter for attachment bolts, inch G	0.375 in