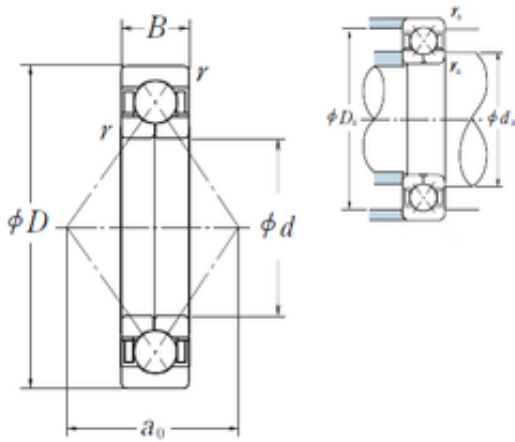




# NTN Bearing Driveshaft USA CORP.



150 mm x 225 mm x 35 mm NSK QJ 1030  
Angular contact ball bearings

Bearing No. QJ 1030

Size	150x225x35 mm
Bore Diameter	150 mm
Outer Diameter	225 mm
Width	35 mm
d	150 mm
D	225 mm
B	35 mm
C	35 mm
Angle ( ° )	35 °
a	131,3 mm
r min.	2,1 mm
da min.	162 mm
da max	213 mm
ra max.	2 mm
Weight	5,2 Kg
Basic dynamic load rating (C)	197 kN
Basic static load rating (C0)	505 kN
(Grease) Lubrication Speed	2 000 r/min

QJ 1030 Bearing 2D drawings and 3D CAD models