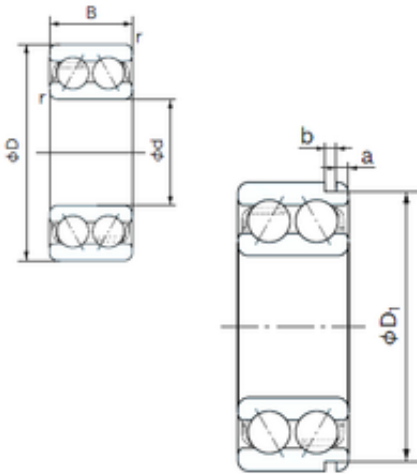




NTN Bearing Driveshaft USA CORP.



45 mm x 85 mm x 30.2 mm NACHI 5209AN Angular contact ball bearings

Bearing No. 5209AN

5209AN Bearing 2D drawings and 3D CAD models

Size	45x85x30.2 mm
Bore Diameter	45 mm
Outer Diameter	85 mm
Width	30.2 mm
d	45 mm
D	85 mm
B	30.2 mm
C	30.2 mm
a	3.28 mm
b	1.9 mm
r min.	1.1 mm
D1	81.81 mm
Weight	0.620 Kg
Basic dynamic load rating (C)	48 kN
Basic static load rating (C0)	37 kN
(Grease) Lubrication Speed	5000 r/min
Bore Type	Cylindrical Bore
Enclosure	Open
Configuration	Double Row
Bore Size	45 mm
Outside Diameter	85 mm
Width	30.2 mm
Fillet Radius/Chamfer	1.1 mm
Groove Width	1.9 mm
Groove Diameter	81.8 mm



NTN Bearing Driveshaft USA CORP.

a (max)	3.3 mm
Dynamic Load Rating	48,000 N
Static Load Rating	37,000 N
Limiting Speed - Grease	5,000 rpm
Limiting Speed - Oil	6,700 rpm
Radial Clearance	0.006 to 0.023 mm
da	52 mm
Da	78 mm
Dx	93 mm
ra	1 mm
Cy	4.7 mm