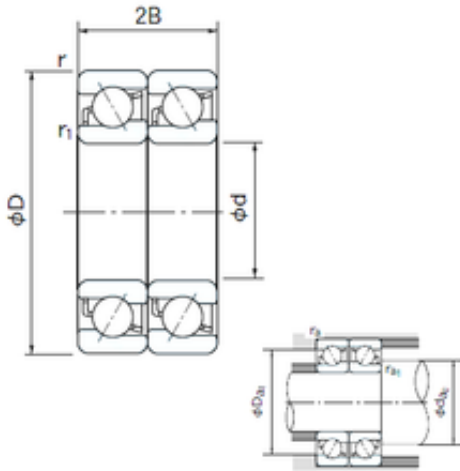




# NTN Bearing Driveshaft USA CORP.



## 75 mm x 160 mm x 37 mm NACHI 7315CDT Angular contact ball bearings

Bearing No. 7315CDT

7315CDT Bearing 2D drawings and 3D CAD models

Size	75x160x37 mm
Bore Diameter	75 mm
Outer Diameter	160 mm
Width	37 mm
d	75 mm
D	160 mm
B	37 mm
C	37 mm
Angle ( ° )	15 °
a -	4.9 mm
r min.	2.1 mm
r1 min.	1.1 mm
2B	74 mm
da min.	87 mm
Da max.	153 mm
ra max.	1 mm
Weight	3.15 Kg
Basic dynamic load rating (C)	225 kN
Basic static load rating (C0)	209 kN
(Grease) Lubrication Speed	5400 r/min
Bore Type	Cylindrical Bore
Enclosure	Open
Configuration	Duplex
Bore Size	75 mm
Outside Diameter	160 mm



## NTN Bearing Driveshaft USA CORP.

Width	37 mm
Fillet Radius/Chamfer	2.1 mm
r1	1.1 mm
Dynamic Load Rating	225,000 N
Static Load Rating	209,000 N
Limiting Speed - Grease	5,400 rpm
Limiting Speed - Oil	7,500 rpm
da1 (min)	87 mm
da2 (min)	87 mm
Da1 (max)	148 mm
Da2 (max)	153 mm
ra (max)	2 mm
ra1 (max)	1 mm