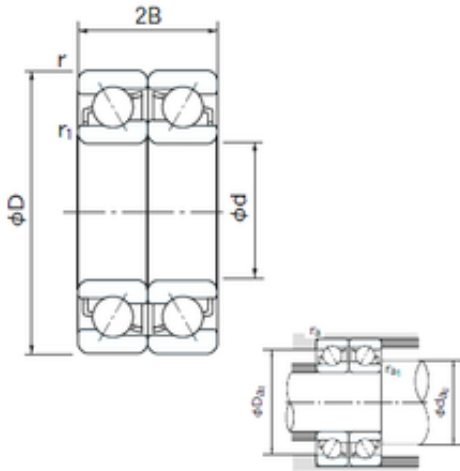




# NTN Bearing Driveshaft USA CORP.



65 mm x 120 mm x 23 mm NACHI 7213BDF  
Angular contact ball bearings

Bearing No. 7213BDF

7213BDF Bearing 2D drawings and 3D CAD models

Size	65x120x23 mm
Bore Diameter	65 mm
Outer Diameter	120 mm
Width	23 mm
d	65 mm
D	120 mm
B	23 mm
C	23 mm
Angle ( ° )	40 °
a	27.4 mm
r min.	1.5 mm
r1 min.	1 mm
2B	46 mm
da min.	70 mm
Da max.	114.6 mm
ra max.	1 mm
Weight	1.02 Kg
Basic dynamic load rating (C)	107 kN
Basic static load rating (C0)	109 kN
(Grease) Lubrication Speed	3400 r/min
Bore Type	Cylindrical Bore
Enclosure	Open
Configuration	Duplex
Bore Size	65 mm
Outside Diameter	120 mm



## NTN Bearing Driveshaft USA CORP.

Width	23 mm
Fillet Radius/Chamfer	1.5 mm
r1	1 mm
Dynamic Load Rating	107,000 N
Static Load Rating	109,000 N
Limiting Speed - Grease	3,400 rpm
Limiting Speed - Oil	4,600 rpm
da1 (min)	74 mm
da2 (min)	70 mm
Da1 (max)	111 mm
Da2 (max)	114.6 mm
ra (max)	1.5 mm
ra1 (max)	1 mm