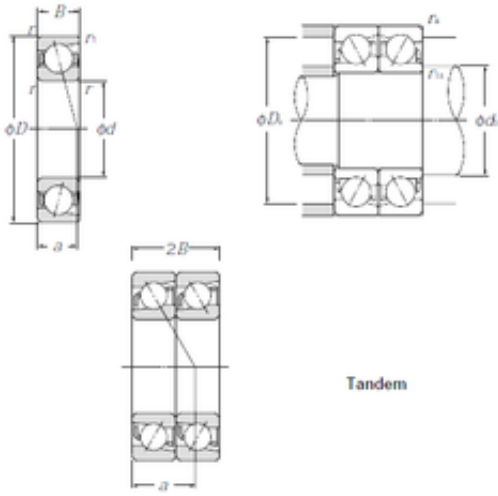




# NTN Bearing Driveshaft USA CORP.



130 mm x 280 mm x 58 mm CYSD 7326BDT  
Angular contact ball bearings

Bearing No. 7326BDT

Size	130x280x58 mm
Bore Diameter	130 mm
Outer Diameter	280 mm
Width	58 mm
d	130 mm
D	280 mm
B	58 mm
C	58 mm
Angle ( )	40 °
r min.	4 mm
2B	116 mm
Weight	35,2 Kg
Basic dynamic load rating (C)	405 kN
Basic static load rating (C0)	535 kN
(Grease) Lubrication Speed	1900 r/min

7326BDT Bearing 2D drawings and 3D CAD models