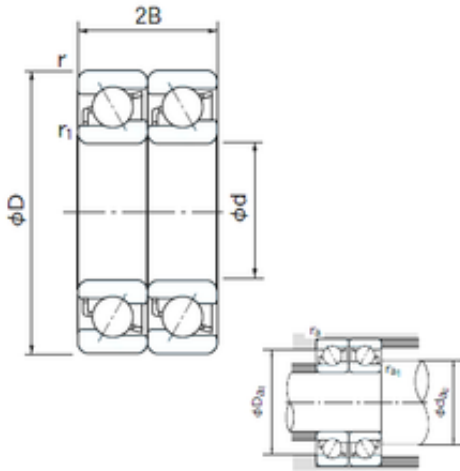




NTN Bearing Driveshaft USA CORP.



7309BDT Bearing 2D drawings and 3D CAD models

45 mm x 100 mm x 25 mm NACHI 7309BDT
Angular contact ball bearings

Bearing No. 7309BDT

Size	45x100x25 mm
Bore Diameter	45 mm
Outer Diameter	100 mm
Width	25 mm
d	45 mm
D	100 mm
B	25 mm
C	25 mm
Angle (°)	40 °
a	18.0 mm
r min.	1.5 mm
r1 min.	1 mm
2B	50 mm
da min.	50 mm
Da max.	94.6 mm
ra max.	1 mm
Weight	0.875 Kg
Basic dynamic load rating (C)	97,5 kN
Basic static load rating (C0)	82,5 kN
(Grease) Lubrication Speed	4500 r/min
Bore Type	Cylindrical Bore
Enclosure	Open
Configuration	Duplex
Bore Size	45 mm
Outside Diameter	100 mm



NTN Bearing Driveshaft USA CORP.

Width	25 mm
Fillet Radius/Chamfer	1.5 mm
r1	1 mm
Dynamic Load Rating	97,500 N
Static Load Rating	82,500 N
Limiting Speed - Grease	4,500 rpm
Limiting Speed - Oil	6,000 rpm
da1 (min)	54 mm
da2 (min)	50 mm
Da1 (max)	91 mm
Da2 (max)	94.6 mm
ra (max)	1.5 mm
ra1 (max)	1 mm