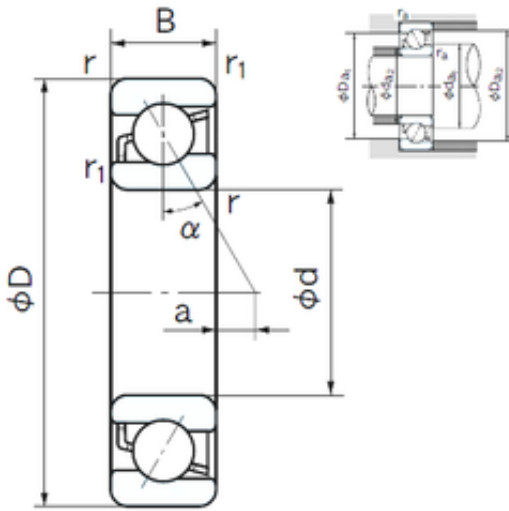




NTN Bearing Driveshaft USA CORP.



35 mm x 80 mm x 21 mm NACHI 7307B Angular contact ball bearings

Bearing No. 7307B

7307B Bearing 2D drawings and 3D CAD models

Size	35x80x21 mm
Bore Diameter	35 mm
Outer Diameter	80 mm
Width	21 mm
d	35 mm
D	80 mm
B	21 mm
C	21 mm
Angle (°)	40 °
a	13.7 mm
r min.	1.5 mm
r1 min.	1 mm
da min.	44 mm
Da max.	71 mm
ra max.	1.5 mm
Weight	0.475 Kg
Basic dynamic load rating (C)	37,5 kN
Basic static load rating (C0)	24,9 kN
(Grease) Lubrication Speed	7000 r/min
Category	Angular Contact Ball Bearings
Inventory	4.0
Manufacturer Name	NACHI
Minimum Buy Quantity	N/A
Weight / Kilogram	0.477



NTN Bearing Driveshaft USA CORP.

Product Group	B00308
Enclosure	Open
Flush Ground	No
Rolling Element	Ball Bearing
Number of Rows of Balls	Single Row
Precision Class	ABEC 1 ISO P0
Maximum Capacity / Filling Slot	No
Snap Ring	No
Cage Material	Steel
Contact Angle	40 Degree
Internal Clearance	C0-Medium
Number of Bearings	1 (Single)
Inch - Metric	Metric
Long Description	35MM Bore; 80MM Outside Diameter; 21MM Width; Open; No Flush Ground; Ball Bearing; Single Row of Balls; ABEC 1 ISO P0; No Filling Slot; No Snap Ring
Category	Angular Contact Ball Bearing
UNSPSC	31171531
Harmonized Tariff Code	8482.10.50.28
Noun	Bearing
Keyword String	Angular Contact
Manufacturer URL	http://www.nachi.com
Manufacturer Item Number	7307 B BNLS
Weight / LBS	1.05
Width	0.827 Inch 21 Millimeter
Outside Diameter	3.15 Inch 80 Millimeter
Bore	1.378 Inch 35 Millimeter
Configuration	Single Row
Bore Type	Cylindrical Bore



NTN Bearing Driveshaft USA CORP.

Bore Size	35 mm
Fillet Radius/Chamfer	1.5 mm
r1	1 mm
Dynamic Load Rating	37,500 N
Static Load Rating	24,900 N
Limiting Speed - Grease	7,000 rpm
Limiting Speed - Oil	9,500 rpm
da1 (min)	44 mm
da2 (min)	40 mm
Da1 (max)	71 mm
Da2 (max)	74.6 mm
ra (max)	1.5 mm
ra1 (max)	1 mm