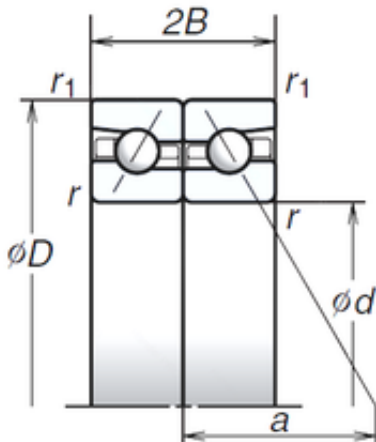




# NTN Bearing Driveshaft USA CORP.

200 mm x 310 mm x 49,5 mm NSK 200BAR10S  
Angular contact ball bearings

Bearing No. 200BAR10S



200BAR10S Bearing 2D drawings and 3D CAD models

Size	200x310x49.5 mm
Bore Diameter	200 mm
Outer Diameter	310 mm
Width	49,5 mm
d	200 mm
D	310 mm
B	49,5 mm
C	49,5 mm
Angle ( ° )	30 °
a	98,3 mm
r min.	2,1 mm
r1 min.	1,1 mm
2B	99 mm
Weight	13,8 Kg
Basic dynamic load rating (C)	169 kN
Basic static load rating (C0)	444 kN
(Grease) Lubrication Speed	3 000 r/min
(Oil) Lubrication Speed	3 800 r/min